

Technical data sheet

MCR protection for 2-pole for power supply, 24 V

Item number: 5097607



Surge protective device/fine protection type 3 to EN 61643-11

- Suitable for DC and AC voltage systems
- With visual function display
- With installation-friendly, screwless connection terminals
- In a space-saving 17.5 mm grid
- Y circuit

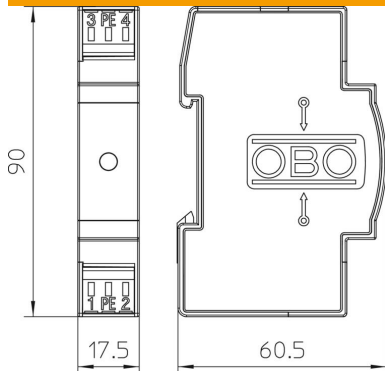
Application: Universal use on 35 mm DIN profile rail in every normal commercially available distributor housing.



Master data

Item number	5097607
Type	VF24-AC/DC
Description 1	Lightning barrier
Description 2	for AC and DC
Manufacturer	OBO
Dimension	24V AC
Smallest sales unit	1
Unit of quantity	Piece
Weight	8 kg
Weight unit	kg/100 pc.
CO2 Footprint (GWP) Cradle-to-Gate	0,4051 kg CO2e / 1 Piece

Dimensions



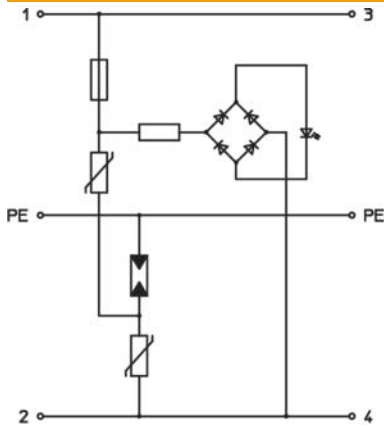
Technical data sheet

MCR protection for 2-pole for power supply, 24 V

Item number: 5097607



Technical data



Response time	<25 ns
Blow-out	no
Version for	24 V version
Pole version	2
Structural width in division units (division unit, 17.5 mm)	1
Operating temperature, max.	80 °C
Operating temperature, min.	-40 °C
Explosion-tested version	no
Remote signalling	no
Maximum continuous voltage AC	34 V
Maximum continuous voltage DC	46 V
Conductor cross-section, rigid (single-wire/multiwire), max.	2.5 mm ²
Conductor cross-section, rigid (single-wire/multiwire), min.	0.14 mm ²
Lightning protection zone LPZ	2→3
Max. mains-side overcurrent protection	20
Maximum back-up fuse	20 A
Maximum discharge current (8/20 µs)	2 kA
Installation type	DIN rail 35 mm
Nominal discharge current (8/20 µs)	0.7 kA
Nominal voltage AC (50/60 Hz)	24 V
Network form	Other
OBO_Nominal load current (input/output terminal)	20 A
Pole number	3
Test class, type 3	yes
Protection rating	IP20
Protection level	≤0,13 kV
Protection level wire-wire	<130 V
Protection level wire-earth	<1200 V
Signalling on device	Visual
SPD to EN 61643-11	Type 3
SPD to IEC 61643-1	Class III
Permitted temperature range, max.	80 °C
Permitted temperature range, min.	-40 °C