

# Technical data sheet

## Protection set MCD + V20 3-pole + NPE

Item number: 5089761



Protection set, lightning and surge arrester combination, type 1+2

- For lightning equipotential bonding to VDE 0185-305 (IEC 62305)
- Lightning current arresting capacity to 50 kA (10/350) per pole and up to 125 kA (10/350) N-PE
- Arrester, connectable, including connecting bridges, labelled connection terminals
- Encapsulated, non-extinguishing arrester for use in distributor housings

Application: Mobile telecommunications systems and industrial systems with special requirements.



### Master data

Item number	5089761
Type	PS4-B+C TT+TNS
Description 1	Protection set
Description 2	4-pole design
Manufacturer	OBO
Dimension	255V
Smallest sales unit	1
Unit of quantity	Piece
Weight	206 kg
Weight unit	kg/100 pc.
CO2 Footprint (GWP) Cradle-to-Gate	10,8946 kg CO2e / 1 Piece

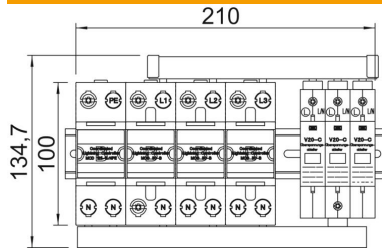
# Technical data sheet

## Protection set MCD + V20 3-pole + NPE

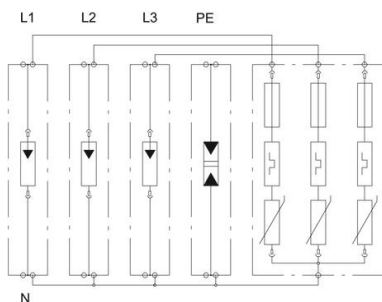
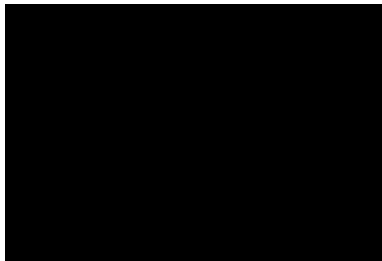
Item number: 5089761



### Dimensions



### Technical data



Arrester surge current (8/20 $\mu$ s) [total]	100 kA
Response time	<25 ns
Blow-out	no
Version for	3-pole with NPE; 255 V
Pole version	3+N/PE
Structural width in division units (division unit, 17.5 mm)	12th
Operating temperature, max.	85 °C
Operating temperature, min.	-40 °C
Lightning surge current (10/350 $\mu$ s)	50 kA
Lightning surge current (10/350 $\mu$ s) [N/PE]	125 kA
Lightning surge current (10/350 $\mu$ s) Remote signalling	100 kA
Follow current quenching capacity (eff) [N-PE]	no
Follow current quenching capacity left	25 kA
Follow current quenching capacity left	12.5 kA
Maximum continuous voltage (L-N)	255 V
Maximum continuous voltage (N-PE)	255 V
Maximum continuous voltage AC	255 V
Short-circuit resistance	25 kA
Short-circuit resistance for max. mains-side overcurrent protection	25 kA
Conductor cross-section, rigid (single-wire/multiwire), max.	50 mm <sup>2</sup>
Conductor cross-section, rigid (single-wire/multiwire), min.	10 mm <sup>2</sup>
Lightning protection zone LPZ	0→2
Max. mains-side overcurrent protection	125
Maximum back-up fuse	125 A
Maximum discharge current (8/20 $\mu$ s)	100 kA
Installation type	DIN rail 35 mm
Nominal discharge current (8/20 $\mu$ s)	50 kA
Nominal voltage AC (50/60 Hz)	230 V
Network form	Other
Protection rating	IP20

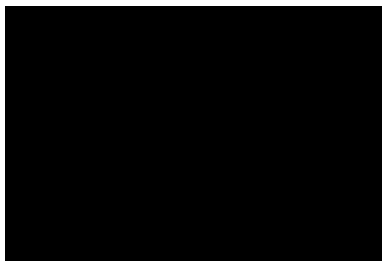
# Technical data sheet

Protection set MCD + V20 3-pole + NPE

Item number: 5089761



## Technical data



Protection level	≤1,3 kV
Protection level [N-PE]	1.5 kV
Signalling on device	Visual
SPD to EN 61643-11	Type 1+2
SPD to IEC 61643-1	Class I+II
Permitted temperature range, max.	85 °C
Permitted temperature range, min.	-40 °C

